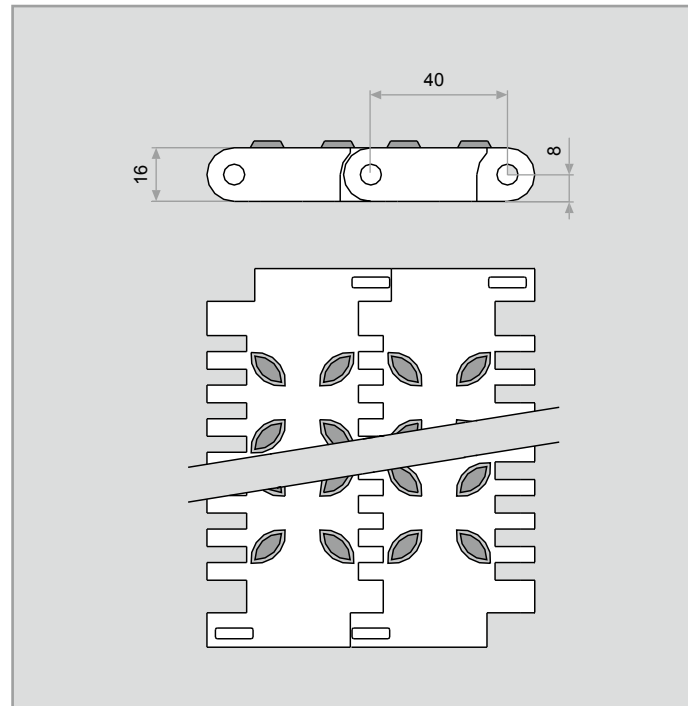
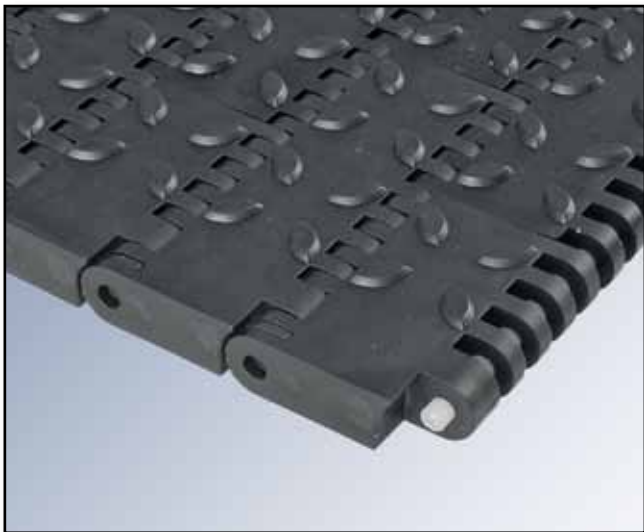


## SERIES E40 NON SLIP



Eurobelt Series E40 Non Slip has a closed surface with a relief specially designed to avoid slips. Both its high resistance to traction and to chemical aggression of oils and industrial acids make it be the suitable belt for assembly lines in the car industry, for conveying people, furniture, electrical appliances, etc.



Pitch	40 mm
Surface	Non Slip
Open area	0 %
Thickness	16 mm
Drive system	Central
Belt width	Multiples of 10 mm
Rod diameter	Ø 6 mm
Retention system	Cap

Material of the belt	Material of the rod	Belt strength (kg/m)	Temperature range (°C)	Belt weight (kg/m <sup>2</sup> )	Available colours in stock
PPE - Conductive Polypropylene	PP - Polypropylene	3,600	+1 to +104	11.97	[O]

This conveyor belt is manufactured in conductive materials to disperse the electrostatic charges through the conveyor frame.

Colours: [W] White - [G] Grey - [B] Blue - [N] Natural - [O] Black